

Revo X



WELDING



ENGRAVING



CASTING



MILLING



OROTIG 

The new Revo X series of LASER-welders combine the original compactness of Orotig machines with the power and high performance needed by industrial processes by improving features of the already excellent performance of earlier Revo S series. Thanks to Ethernet and Wi-Fi connectivity, Revo X fully eases tool-machine integration into ERP industrial systems and to remote diagnostics. Main features are as follows:

- New generation IPS display with capacitive TFT interface;
- Possibility to save pictures / videos in USB key or in local memory;
- HDMI connection for external monitor live viewing;
- Possibility of screening video tutorials;

- Dynamic selection of working settings based on actual job and type of metal getting intervened;
- Possibility of saving personally-set working parameters;
- On board video / music / pictures player;
- Telemetry for remote assistance and updates;

Stereo microscope Leica 10x or LYNX (optional)

Mechanic and electronic safety shutters to guarantee maximum protection

Led lighting system with dimmer

Wide welding chamber ergonomic fore-arms supports



LYNX visor system as an option instead of the stereo microscope and front touch screen display



Parameters can be set via encoder inside the welding chamber

Separate connections to Argon, air or Nitrogen

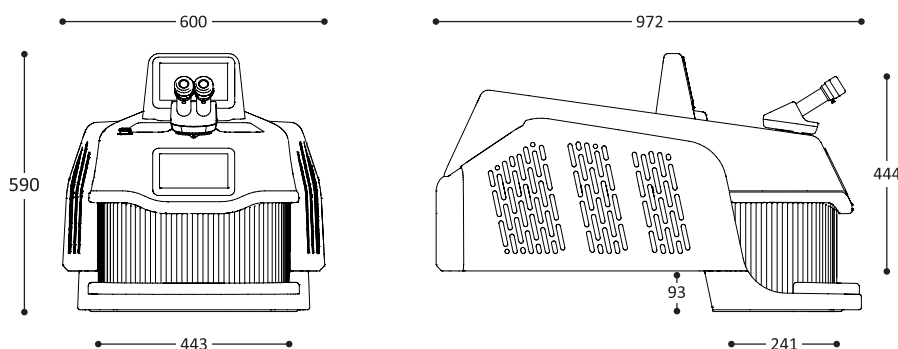
Optional height-adjustable motorized dedicated stand

TECHNICAL DATA

MODEL	Revo X	Revo X+	Revo X ²
CRYSTAL TYPE Nd:YAG	7 mm / 1064 nm	7 mm / 1064 nm	2 X 7 mm / 1064 nm
POWER IMPULSE AND TIME	240 J at 25 mS	240 J at 25 mS	280 J at 25 mS
PEAK POWER	10.0 kW	10.0 kW	12.0 kW
MEAN POWER	90 W	120 W	150 W
FEQUENCY	40 Hz	40 Hz	40 Hz
WEIGHT	65 Kg	75 Kg	75 Kg

OTHER

POWER SUPPLY	230 VAC±10%, 50/60Hz
LASER SPOT DIMENSION	From 0.1 at 2 mm (0.2-2 mm Revo X ²)
CONTROLS	External with 7" color touch-screen display. Internal with joystick
STEREO - MICROSCOPE	45° with 10X and crosshair or LYNX
COOLING TYPE	Liquid cooled (10 lt) with forced ventilation



OPTIONAL



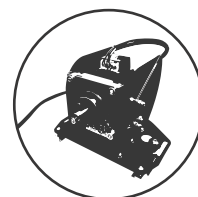
DOOR WITH EDGING



LYNX



WHEELED STAND



ROTARY FOR RADIAL WELDING

