

evox

Powerful and precise for perfect welding

The precise and reliable welding solution that effortlessly delivers **superior welding quality** even on the **most demanding metals**.



TOP PERFORMING ON ALL METALS

Superior welding quality **even on reflective materials** such as silver and platinum.



RELIABILITY MADE IN ITALY

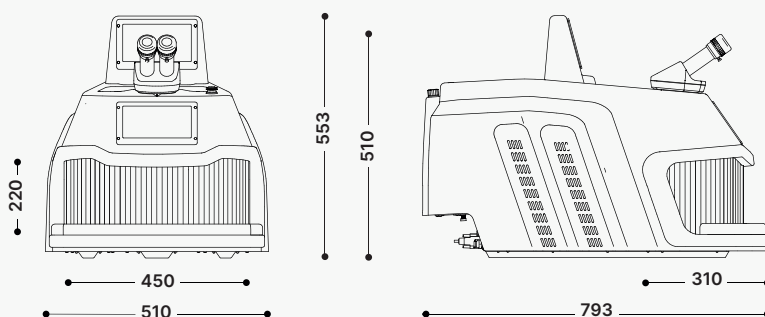
The **reliability and durability** of **Italian design** in a machine that is perfect even for small spaces.



PERFECT WELDS

Soft, clean and spatter-free welds thanks to soft, adjustable and uniform shots.

Compact and robust



*dimensions in mm

Discover all our machines, stay connected!



REQUEST A QUOTE

sales@orotig.com

more information on orotig.com

FEATURES



MADE IN ITALY

Leica microscope

Leica 45° stereo microscope with 10x optical zoom and right-eye crosshair.

IUVAPS™

Sanitizing system

Constant sanitisation of the environment thanks to the IUVAPS™ system, which eliminates dust and pathogens.

Wide welding chamber with adjustable LED

Welding chamber with wide access and patented, adjustable LED lighting system to facilitate welding on reflective metals.



Intuitive interface

7" color display with a user-friendly interface.

Preset programs

Possibility of viewing and recording machining operations and dynamically setting the work program, choosing it from a library of preset programs.

Connectivity and Wi-Fi

Telemetry for easy assistance and remote updates.

TECHNICAL DATA

Evo X

CRYSTAL TYPE Nd:YAG @ 1064

ø 7 mm

PULSE POWER

225 J

PULSE DURATION

25 ms

PEAK PULSE POWER

9.0 kW

AVERAGE POWER

90 W

PULSE FREQUENCY

0 - 40 Hz

ELETRICAL

115 - 230 VAC ± 10%, 1+N ph, 50/60 Hz, 16A

FOCAL DIAMETER

0.1 to 2 mm

COMMAND ACCESS

External with 7" capacitive touch screen display, internal with rotary switch

COOLING SYSTEM

Liquid cooled (4 l) with forced ventilation

WEIGHT

41 Kg

ACCESSORIES



DYNASCOPE HEAD



ADJUSTABLE MICROSCOPE STAND (5° - 25°)



PNEUMATIC PEDAL



INTERNAL WRIST REST



MOTORISED TABLE



ANALOGIC PEDAL