

WELDING



ENGRAVING



CASTING



MILLING



Flash /35/50/80

**OROTIG**



The FLASH series of LASER-welders is the reference point for jewel makers when needing to join chains accurately, fast, and by large series.

The most relevant features are:

Very intuitive operator's interface by a 5.7" color touch-screen display

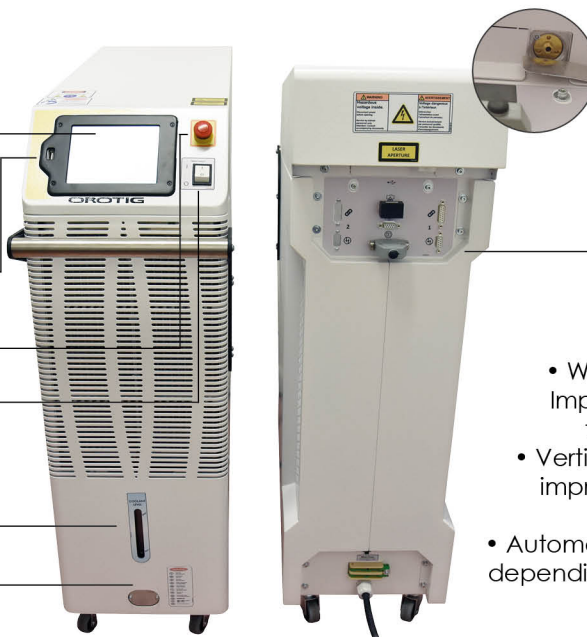
USB key for updating FW and real-time diagnostic of equipment's functioning

Emergency button

Turn-on key

Coolant level control

Draining cap



Fiber-cords quick connector

Electric connections

- Double liquid-cooling circuit:
- 2 water-pumps
  - 2 heat-exchangers
  - Water-cooled generator boards
- Improved efficiency in monitoring temperature of the electronics
- Vertical connection for fiber-cords: improved protection from dust, oil, contaminants
  - Automatic power-output adjustment, depending on fiber's section size in use

### OPTIONAL

Integrated joulemeter to monitor power-output to the fiber

Port connection for 2 fiber-cords with independent power-output controls/adjustments

### TECHNICAL DATA

MODEL	FLASH 35	FLASH 50	FLASH 80
<b>LASER CRYSTAL: Nd:YAG @ 1064 nm</b>	Ø 6.3 mm	Ø 6.3 mm	Ø 7 mm
<b>PULSE-POWER @ 3 ms</b>	10 J (3)	18 J (3)	20 J (3)
<b>MAX PULSE-POWER</b>	25 J (3)	30 J (3)	40 J (3)
<b>PEAK-POWER</b>	3.6 kW	6 kW	7.5 kW
<b>AVERAGE POWER</b>	40 W	50 W	80 W
<b>PULSE DURATION</b>	0.5 - 20 Hz	0.5 - 25 Hz	0.5 - 25 Hz
<b>FREQUENCY OF REPETITION</b>	0 - 20 ms	0 - 20 ms	0 - 20 ms
<b>FIBER SIZE</b>	300 - 400 µm	400 - 600 µm	600 - 800 µm
<b>WEIGHT</b>	70 kg	75 kg	80 kg

### OTHER

**POWER SUPPLY**

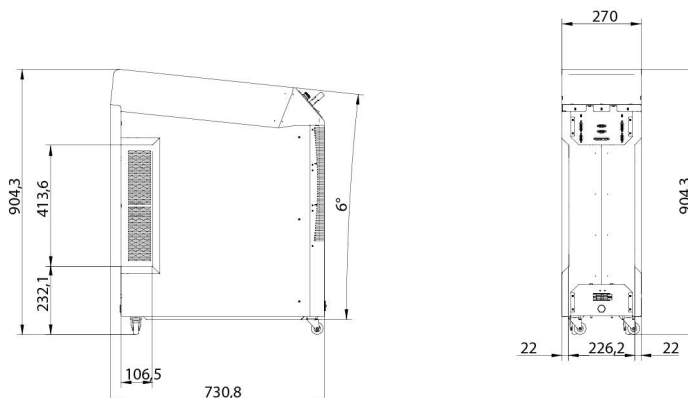
Single-phase, 230 VAC±10%, 50/60 Hz

**ACCESS TO COMMANDS**

External: 5.7" color touch-screen display

**COOLING**

Forced air and liquid by 8 l tank, 2 pumps, and 2 heat-exchanger



FOLLOW US NOW



Via XXV Aprile 47 37014 Cavalcaselle del Garda (VR)

TEL 045 640 0865 - FAX 045 640 1104

www.orotig.com - e-mail: info@orotig.com

ADP0008-00